

**MODEL AC-CBKT-S-2**

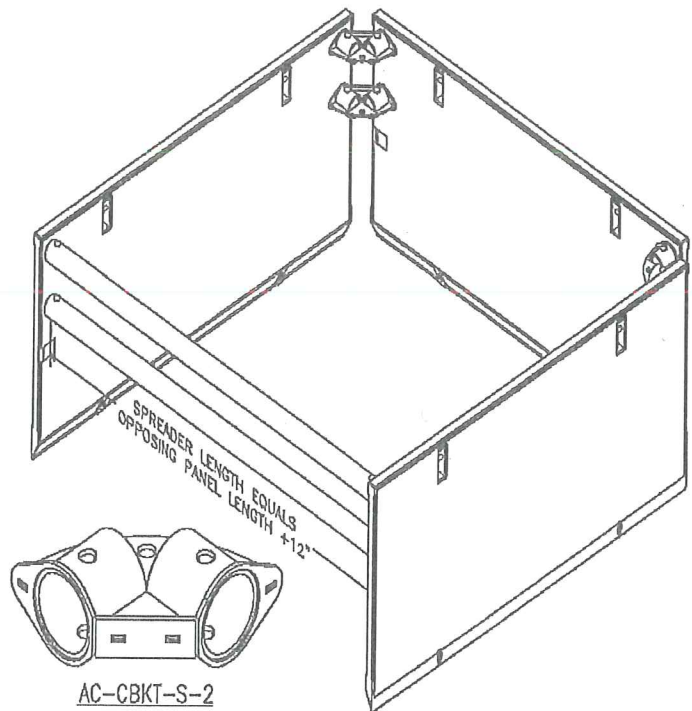
REFERENCE TO OCCUPATIONAL SAFETY AND HEALTH ADMINISTRATION RULES AND REGULATIONS, 29 CFR, NO 209, PART 1926, SUBPART P

<b>CORNER CONNECTOR BRACKET</b>	PSF RATING	MAXIMUM ALLOWABLE DEPTH OF CUT (FEET)		
	MAXIMUM LATERAL EARTH PRESSURE CAPACITY AT TRENCH BOTTOM IN POUNDS PER SQUARE FOOT	SOIL TYPE TO BE EXCAVATED		
		<b>TYPE B</b>	<b>TYPE C-60</b>	<b>TYPE C-80</b>
	MEDIUM COHESIVE TO GRANULAR SOIL. 45 PSF PER FOOT OF DEPTH.	SOFT COHESIVE TO SUBMERGED SOIL. 60 PSF PER FOOT OF DEPTH.	SOFT COHESIVE TO SUBMERGED SOIL. 80 PSF PER FOOT OF DEPTH.	
	<b>1200</b>	<b>27</b>	<b>20</b>	<b>15</b>

**LIMITATIONS IN USE OF TABLE**

- CORNER CONNECTOR BRACKET CAPACITY OVERRIDES ANY TRENCH SHIELD WALL CAPACITY AND IT IS THE LIMITING FACTOR IN 3 AND 4 SIDED CONFIGURATIONS. DEPTH OF CUT IS NOT TO EXCEED THE DEPTH RATINGS OF THE INDIVIDUAL COMPONENTS. SEE MANUFACTURERS TABULATED DATA FOR THE VARIOUS COMPONENTS.
- SHIELD COLLARS SHALL BE 7" O.D. x 1/2" (Min.) FROM 55 k.s.i. MIN. YIELD MATERIAL AS SUPPLIED BY EFFICIENCY PRODUCTION, INC.
- CORNER CONNECTOR BRACKET WORKS WITH TRENCH SHIELDS UP TO 10' HIGH x 30' LONG.
- CORNER CONNECTOR BRACKET IN 3-SIDED CONFIGURATION REQUIRES ONE FOOT LONGER SPREADERS THAN THE LENGTH OF OPPOSING TRENCH SHIELD WALL. IF 4-SIDED CONFIGURATION IS DESIRED A ONE FOOT INCREASE IN BOTH DIRECTIONS SHALL BE EXPECTED.
- SPREADER PINS SHALL BE AISI C-1018, 100 k.s.i. MIN. YIELD AND NO MORE THAN 1/4" SMALLER THAN CORNER CONNECTOR BRACKET HOLE SIZE (1 7/8" RECOMMENDED PIN DIA.) AND AS MANUFACTURED BY EFFICIENCY PRODUCTION, INC.
- ADDITIONAL SHIELDS MAY BE STACKED WITH NO PENALTY IN DEPTH OF CUT AS LONG AS LOADING ON THE BOTTOM SHIELD IS NOT EXCEEDING 1200 PSF.
- DEPTH OF CUT SHOWN IS BASED ON EXAMPLES OF VARIOUS SOIL CONDITIONS. VERIFY ACTUAL SOIL PRESSURES PRIOR TO EACH USE.
- CORNER CONNECTOR BRACKET SHALL BE INSPECTED FOR DAMAGES BEFORE EVERY USE BY COMPETENT/QUALIFIED PERSON. ANY MODIFICATION OR ALTERATIONS NOT ALLOWED UNLESS APPROVED IN WRITING BY EFFICIENCY PRODUCTION, INC.
- CONTRACTORS COMPETENT/QUALIFIED PERSON SHALL BE RESPONSIBLE FOR MONITORING SOIL CONDITIONS AND SHALL BE RESPONSIBLE FOR COMPLIANCE WITH ALL FEDERAL, STATE, AND LOCAL RULES AND REGULATIONS.

<b>DESCRIPTION</b>	<b>DESCRIPTION</b>	<b>DESCRIPTION</b>
Clay, with Unconfined Compressive Strength Greater than .5 TSF But Less than 1.5 TSF Cohesionless Gravel, Silt, Slit Loam or Sandy Loam.	Soft Cohesive Soil Unconfined Compressive Strength Less than .5 TSF Gravel, Sand and Loamy Sand; Submerged Soil or fractured Rock that is not Stable.	Soft Cohesive Soil Unconfined Compressive Strength Less than .5 TSF Gravel, Sand and Loamy Sand; Submerged Soil or fractured Rock that is not Stable.



AC-CBKT-S-2



01.29.2010

**CERTIFIED BY:**  
EFFICIENCY PRODUCTION, INC.  
01.29.2010

**COPYRIGHT:**  
2010 EFFICIENCY PRODUCTION, INC.  
ALL RIGHTS RESERVED

MANUFACTURED UNDER ONE OR MORE OF THE FOLLOWING U.S. PATENT NUMBERS;  
4,090,365-4,114,383-4,259,028  
ONE OR MORE OF THE FOLLOWING CANADIAN PATENT NUMBERS: 1,062,683-1,062,684

USE THIS PRODUCT ONLY IN ACCORDANCE WITH APPLICABLE FEDERAL, STATE, OR LOCAL LAWS

Any use of this product not specifically described on this certificate could cause cave-in, collapse, or structural failure resulting in death or serious injury.