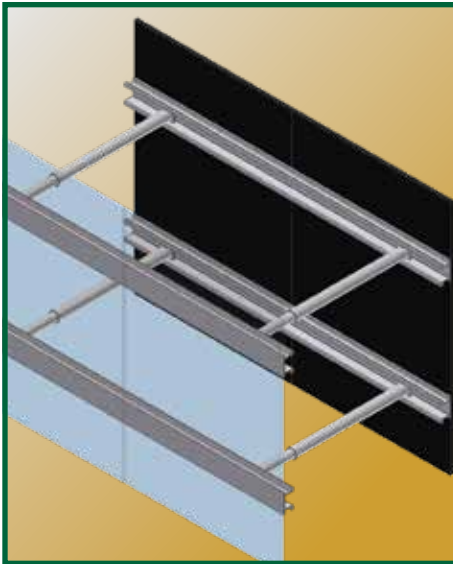


Horizontal Walers

Provides larger working space at greater depths



Horizontal Hydraulic Walers



Walers - Standard Rails

STANDARD Rail Lg. x Cr. Br.	Cross Brace Width (In.)	Cylinders	Weight (Lbs.)
WS-6X36	22 - 36	2	97
WS-6X46	28 - 46	2	105
WS-6X55	34 - 55	2	109
WS-6X69	42 - 69	2	117
WS-6X88	52 - 88	2	125
WS-8X36	22 - 36	2	121
WS-8X46	28 - 46	2	129
WS-8X55	34 - 55	2	133
WS-8X69	42 - 69	2	141
WS-8X88	52 - 88	2	149
WS-12X36	22 - 36	3	180
WS-12X46	28 - 46	3	188
WS-12X55	34 - 55	3	198
WS-12X69	42 - 69	3	210
WS-12X88	52 - 88	3	218

Walers - Heavy Duty Rails

HEAVY DUTY Rail Lg. x Cr. Br.	Cross Brace Width (In.)	Cylinders	Weight (Lbs.)
WH-6X36	22 - 36	2	167
WH-6X46	28 - 46	2	175
WH-6X55	34 - 55	2	179
WH-6X69	42 - 69	2	187
WH-6X88	52 - 88	2	195
WH-8X36	22 - 36	2	215
WH-8X46	28 - 46	2	223
WH-8X55	34 - 55	2	227
WH-8X69	42 - 69	2	235
WH-8X88	52 - 88	2	243
WH-10X36	22 - 36	2	262
WH-10X46	28 - 46	2	270
WH-10X55	34 - 55	2	274
WH-10X69	42 - 69	2	282
WH-10X88	52 - 88	2	290
WH-12X36	22 - 36	2	309
WH-12X46	28 - 46	2	317
WH-12X55	34 - 55	2	321
WH-12X69	42 - 69	2	329
WH-12X88	52 - 88	2	337