

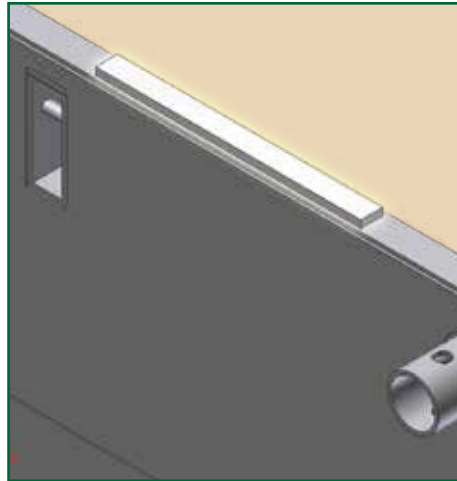
# Options & Accessories

## Versatile Options & Accessories for Steel Trench Shields



Foam Filler

Foam Filler is made of lightweight polystyrene that fills double wall cavities minimizing mud and sand build-up inside of the walls.



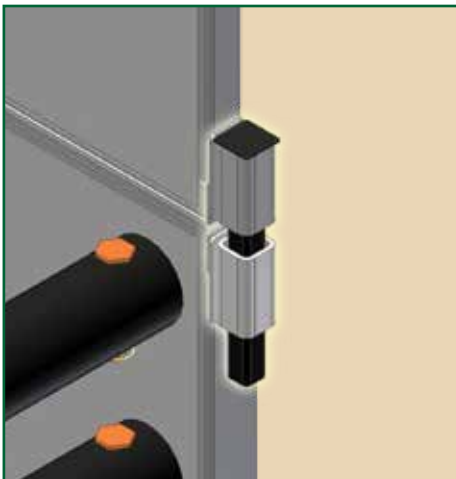
Pushing Blocks

A set of four pushing blocks, each made of 1 in. thick steel, are used for pushing the shield to grade. *Pushing Blocks are NOT intended for pounding with excavator bucket.*



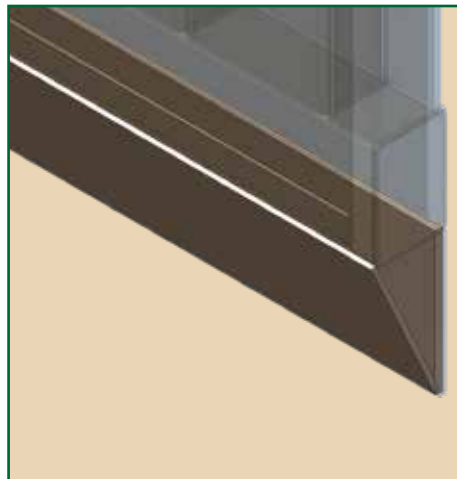
Pulling Lugs

A set of two pulling lugs are welded to the front end of the sidewalls to pull the shield easily along the trench as the job progresses.



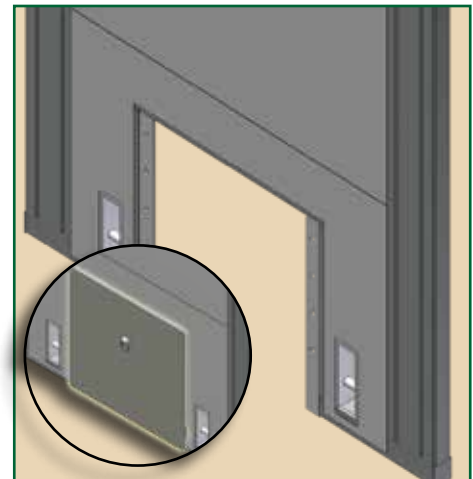
Stacking Pockets

Stacked shields can be connected using pins placed through welded stacking pockets. Pockets allow for shields of varying sidewall widths to be stacked.



Knife Edge

Bottom of sidewalls have reinforced edges that are gusseted for strength and beveled to a knife-like edge that helps prevent water infiltration. Shields are also available with flat bottoms.



Sidewall Cutout & Door

Sidewall cutouts provide maximum protection against a cave-in when connecting lateral pipe or other utility. Optional doors allow the trench shield to function normally when lateral pipe or cross-trench utilities are not present.