

Octagon Configuration

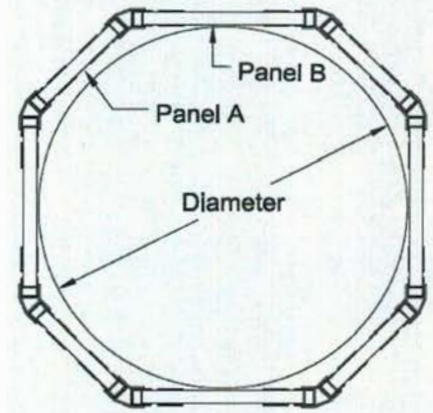
DATE: May 29, 2019

SUBJECT: Build-A Box System Octagon Configuration

General Notes:

This Technical Data Sheet is in addition to EPI's Tabulated Data for **Build-A-Box Modular Trench Shielding System**.

- All personnel involved with the use of the *Build-A Box System Octagon Configuration* shall be trained in the proper use and installation procedures and other applicable safety requirements.
- The maximum depth of the excavation shall not exceed **20-ft.** and the soil is classified as **C60 soil** in accordance with the above referenced Tabulated Data.
- The Build-A Box System Octagon Configuration shall have a **minimum height of 6-ft.**
- All components shall be positioned in accordance with **Figure(1.1)** and **Table (1.1)** prior to employees entering the excavation. Refer to the installation procedures for typical installation figures.
- The system shall be installed in a manner to prevent lateral or otherwise hazardous movement. The Build-A Box panels shall backfilled against at least 2/3 of the total height of the configuration.
- This data is valid for components in structurally sound condition. Any significant damage will void this data, and all manufacturers' warranty. The damaged components shall not be used.
- Bottom panels may be left out as indicated in **Figure(1.2)**.
- Surcharge loads are not included in the maximum depth tables. Surcharge loads are possible due to heavy equipment, vibrations, or soil piles adjacent to the trench. (Adjacent is defined as within a distance equal to the depth of the trench.)



Plan View

Figure (1.1)

Diameter	Panel A	Panel B
61-in	BBP-22	BBP-22
73-in	BBP-22	BBP-23
85-in	BBP-22	BBP-24
90-in	BBP-23	BBP-23
97-in	BBP-22	BBP-25
102-in	BBP-23	BBP-24
114-in	BBP-23	BBP-25
119-in	BBP-24	BBP-24
131-in	BBP-24	BBP-25
148-in	BBP-25	BBP-25

Table (1.1)

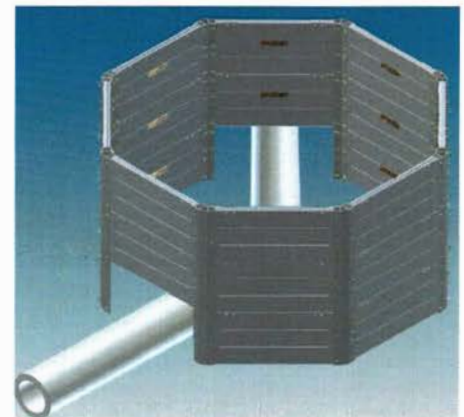
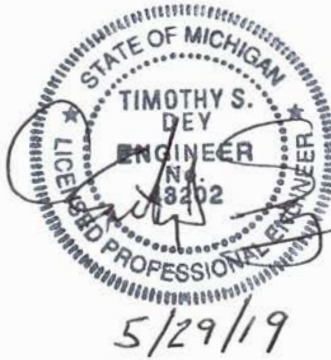


Figure (1.2)



Octagon Configuration

