

EFFICIENCY PRODUCTION

 AMERICA'S TRENCH BOX BUILDER™

Aluminum Trench Shield Product Application Guide

BUILD-A-BOX ■ XLAP™ ALUMINUM SHIELD ■ CORRU-LITE™ ■ ALUM-A-SHIELD™

↑
22"
↓
PIPE CLEARANCE
64"
↓



↑
16'
—
20'
—
24'
—
33'
—
DEPTH OF CUT
—
39'
—
44'
—
48'
—
60'
↓

← 720 ——— SHIELD CAPACITY (PSF) ——— 2,700 →

EFFICIENCY PRODUCTION
Aluminum Trench Shield Product Guide


EFFICIENCY
PRODUCTION
America's Trench Box Builder™
800-552-8800



www.encyproduction.com

Build-A-Box

Modular Aluminum Trench Shielding System

Purpose:

The Build-A-Box Modular Aluminum Trench Shielding System can be assembled in minutes to a wide variety of configurations. The modular system enables work crews to make on-the-spot design changes to meet job requirements in conditions ranging from light to extreme. Build-A-Box is compatible and stackable with Efficiency's XLAP Aluminum Trench Shields.

Common Applications:

- Sewer & Water Valves
- Hydrants & Taps
- Spot Repairs
- Gas and Electric Utility

Features:

- Compatible with XLAP
- Pick-up truck transportable
- Can be hand-assembled in minutes
- Narrow, smooth aluminum sidewalls reduce dirt build-up
- Tongue and groove design
- Foam-filled
- Pulling and lifting lugs
- Professional Engineer design and depth certification

Options:

- T-connection cut-outs
- Telescoping spreader sets
- Sectional or Full Length corner posts
- 3 or 4-way corner posts
- Octagon-configuration corner posts

Spreader Options:

- XL adjustable spreaders
- Spreader arches



Build-A-Box

Modular Aluminum Trench Shielding System

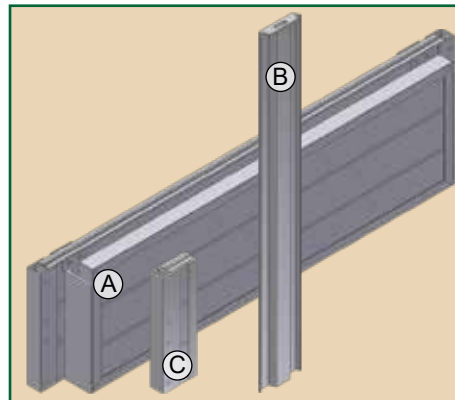
Build-A-Box Modular Trench Shield - Two-Sided Shields						
Panel Selection Chart			Shield Cap. (PSF)	Depth of Cut (ft) - Soil Type		
Model (ft.)	Item	Weight (Lbs.)		B	C-60	C-80
BAB-2X2	7529	34	2,400	53	40	30
BAB-2X3	7530	46	2,400	53	40	30
BAB-2X4	7531	60	2,400	53	40	30
BAB-2X5	7532	71	2,400	53	40	30
BAB-2X6	7533	84	2,400	53	40	30
BAB-2X7	7534	99	1,740	39	29	22
BAB-2X8	7535	110	1,440	32	24	18
BAB-2X10	7536	138	960	21	16	12
BAB-2X12	7537	165	780	17	13	10
BAB-2X14	7538	190	600	13	10	8
BAB-2X16	7539	210	480	11	8	6

Corner End Posts			
Model	Item	Length (In.)	Weight (Lbs.)
BAB-C2-2	7520	24	18
BAB-C2-4	7521	48	36
BAB-C2-6	7522	72	62.4
BAB-C2-8	7523	96	86
BAB-C2-10	7524	120	108
BAB-C2-12	7545	144	100

Corner End Posts			
Model	Item	Length (In.)	Weight (Lbs.)
BAB-C3-2	7525	24	24
BAB-C3-4	7526	48	49
BAB-C3-6	7527	72	70
BAB-C3-8	7528	96	91
BAB-C3-10	7546	120	116

BAB Sheeting Guide Frames		
Model	Length (In.)	Weight (Lbs.)
BBAC-GF-4	48	118
BBAC-GF-6	72	166
BBAC-GF-8	96	215
BBAC-GF-10	120	300
BBAC-GF-12	144	385

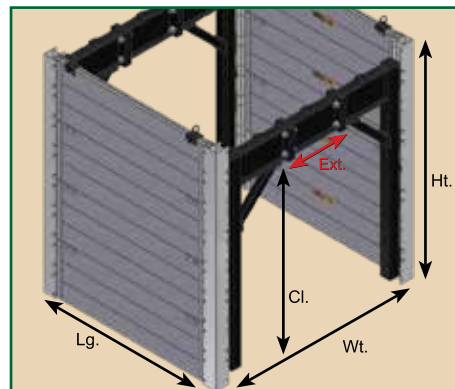
Aluminum Sheets (with push caps)		
Model	Length (In.)	Weight (Lbs.)
BBAC-GF-SHEET-6	72	30
BBAC-GF-SHEET-8	96	35
^C FILLER PANEL	8	35



4-Way Connection Posts		
Model	Length (In.)	Weight (Lbs.)
BBC4-24	24	35
BBC4-48	48	70
BBC4-72	72	104
BBC4-96	96	139
BBC4-120	120	174
BBC4-144	144	209

Spreaders Single Adj. Square Tube		
Model	Item	Weight (Lbs.)
XL-2436-1	7514	35
XL-3660-1	7515	47
XL-4872-1	7516	61
XL-6096-1	7570	76
XL-72120-1	7518	110
XL-84144-1	7519	132

Arch Spreaders and Extensions			
Model	Description	Weight (Lbs.)	Depth of Cut (ft) C-60 - Soil Type
BBAC-ARCH 64	72" (high) x 48"	620	14
BBAC-EXT24	24" Horiz. Extensions	110	14
BBAC-EXT36	36" Horiz. Extensions	140	14
BBAC-EXT48	48" Horiz. Extensions	170	14
BBAC-EXT60	60" Horiz. Extensions	200	14
BBAC-EXT72	72" Horiz. Extensions	230	14
BBAC-EXT84	84" Horiz. Extensions	260	14



Build-A-Box with Spreader Arch

Accessories

Innovative Accessories for Build-A-Box Modular Shielding System

Height Adapter/Spreader Arch
Part # HABAB72-HEIGHT ADAPTER



Barrier Posts
Part # BAB-BP



Stacking Guides
Part # BAB-STACKING GUIDE

Wheel Kit
Part # BBAC-WK



Adjustable Legs
Part # BAB-24-LEGS

Lifting Lug
Part # BAB-LE



Aluminum Sheets
Part # BAB-ALUM-SHEETS
Sheets 6 and 8 ft. lengths



Sheeting Guide Frame
Part # BAB-SGF

Guard Rail
Part # GR-4FT-FIXED
4,6,10 ft. lengths



Ladder Bracket
Part # BBAC-LADDER-BK

Guard Rail Adpt
Part # GR-BAB-ADP



XLAP™

“Xtra Light” 3 in. Aluminum Panel Trench Shields

Purpose:

Efficiency’s XLAP series aluminum panel trench shields are designed specifically for municipalities, utilities, and contractors who use rubber-tired backhoe/loaders and small excavators for trenching. XLAP is compatible and stackable with Build-A-Box.

Common Applications:

- Sewer & Water Valves
- Hydrants & Taps
- Spot Repairs
- Gas and Electric Utility

Features:

- Compatible with Build-A-Box
- Narrow, smooth aluminum sidewalls reduce dirt build-up
- Foam-filled
- Pulling and lifting lugs
- Professional Engineer design and depth certification

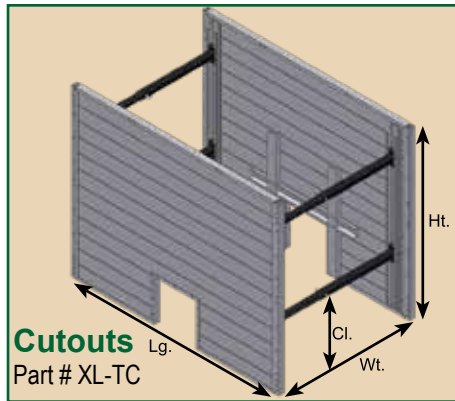
Options & Accessories:

- T-connection cut-outs
- End panel connector bracket
- Stacking pockets
- knife edge
- Adjustable legs
- Wheel kit

Spreader Options:

- XL adjustable spreaders
- Spreader Arches

Spreaders Single Adj. Square Tube		
Model Length (In.)	Item	Weight (Lbs.)
XL-2436-1	7514	35
XL-3660-1	7515	47
XL-4872-1	7516	61
XL-6096-1	7570	76
XL-72120-1	7518	110
XL-84144-1	7519	132



XLAP 3 in. Aluminum double Sidewall Trench Shield						
Model (Ft.) <i>XLAP-Ht.Lg.</i>	Weight (Lbs.)	Pipe Cl. (In.)	Shield Cap (PSF)	Depth of Cut (Ft.) Soil Type		
				B	C-60	C-80
XLAP-46	470	10	2,400	53	40	30
XLAP-48	590	10	1,740	39	29	22
XLAP-410	700	10	1,140	25	19	14
XLAP-412	820	10	840	19	14	11
XLAP-414	940	10	600	13	10	8
XLAP-416	1,050	10	480	11	8	6
XLAP-66	690	30	1,800	35	30	23
XLAP-68	850	30	1,440	27	24	18
XLAP-610	1,020	30	1,020	21	17	13
XLAP-612	1,190	30	840	16	14	11
XLAP-614	1,360	30	660	12	11	8
XLAP 616	1,520	30	480	11	8	6
XLAP-86	900	30	1,800	35	30	23
XLAP-88	1,120	30	1,440	27	24	18
XLAP-810	1,340	30	1,020	21	17	13
XLAP-812	1,560	30	840	17	14	11
XLAP-814	1,770	30	720	13	12	9
XLAP-816	1,990	30	480	11	8	6
XLAP-108	1,380	24	1,200	24	20	15
XLAP-1010	1,650	24	960	20	16	12
XLAP-1012	1,920	24	840	19	14	11
XLAP-1014	2,190	24	660	15	11	8

XLAP & Build-A-Box

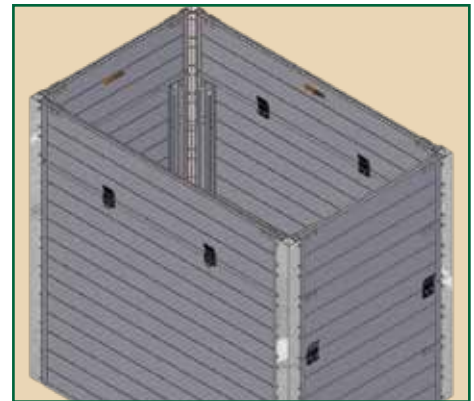
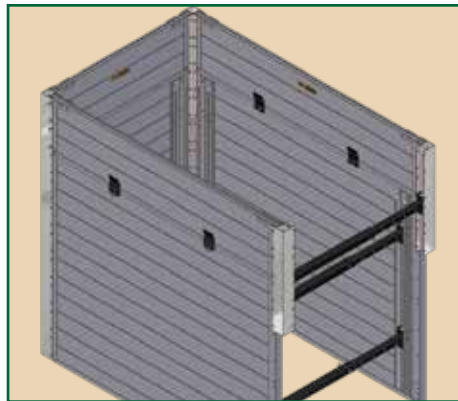
Compatibility & Flexibility with XLAP/Build-A-Box Combo

Purpose:

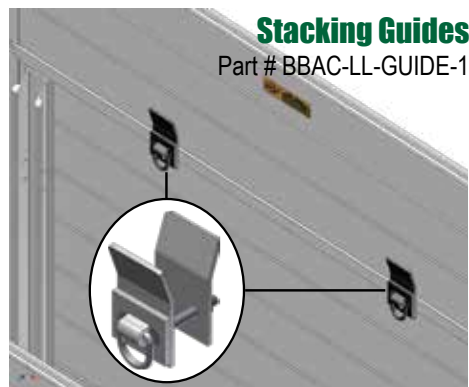
XLAP is **compatible** and **stackable** with Efficiency's Build-A-Box modular aluminum trench shielding system which allows contractors and municipalities to make **on-the-spot** modifications to the shield.

Common Applications:

- Sewer & Water Valves
- Hydrants & Taps
- Spot Repairs
- Gas and Electric Utility



Build-A-Box Stacked on XLAP



Stacking Guides

Part # BBAC-LL-GUIDE-1

XLAP-SF

“Xtra Light” 3 in. Aluminum Panel Trench Shields with Steel Frame

Purpose:

Efficiency’s XLAP-SF series aluminum panel trench shields with steel tube frames offer greater rigidity to the box that is ideal for utility work or other spot repair, but are still light enough to be handled by rubber-tire backhoes or small excavators.

Common Applications:

- Sewer & Water Valves
- Hydrants & Taps
- Spot Repairs
- Gas and Electric Utility

Features:

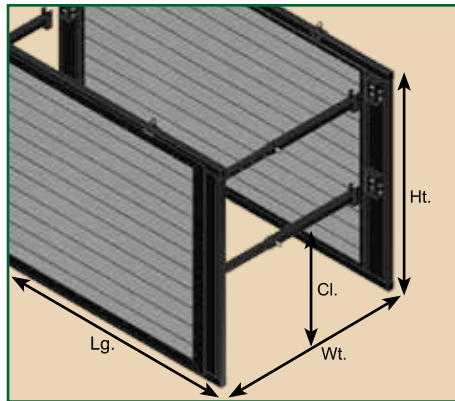
- Narrow, smooth aluminum sidewalls reduce dirt build-up
- Foam-filled
- Wrapped steel frame sidewalls
- Professional Engineer design and depth certification

Options:

- Stacking pockets
- Knife edge

Spreader Options:

- XL adjustable spreaders
- 5 in. collar pipe for **6” schedule 80** spreaders
- 7 in. collar pipe for **8” schedule 80** spreaders



XLAP-SF 3 in. Aluminum steel frame double Sidewall Trench Shield						
Model (Ft.) <i>XLAP-SF-Ht.Lg.</i>	Weight (Lbs.)	Pipe Cl. (In.)	Shield Cap (PSF)	Depth of Cut (Ft.) Soil Type		
				B	C-60	C-80
XLAP-SF-46	895	10	2,400	53	40	30
XLAP-SF-48	1,095	10	1,740	39	29	21
XLAP-SF-410	1,290	10	1,140	25	19	14
XLAP-SF-412	1,490	10	840	19	14	10
XLAP-SF-414	1,690	10	600	13	10	7
XLAP-SF-416	1,915	10	480	11	8	6
XLAP-SF-66	1,200	30	1,560	35	26	19
XLAP-SF-68	1,440	30	1,200	27	20	15
XLAP-SF-610	1,695	30	960	21	16	12
XLAP-SF-612	1,945	30	720	16	12	9
XLAP-SF-614	2,195	30	540	12	9	6
XLAP-SF-616	2,450	30	480	11	8	6
XLAP-SF-86	1,495	30	1,560	35	26	19
XLAP-SF-88	1,795	30	1,200	27	20	15
XLAP-SF-810	2,100	30	960	21	16	12
XLAP-SF-812	2,400	30	780	17	13	9
XLAP-SF-814	2,695	30	600	13	10	7
XLAP-SF-816	2,995	30	480	11	8	6
XLAP-SF-108	2,140	24	1,080	24	18	13
XLAP-SF-1010	2,495	24	900	20	15	11
XLAP-SF-1012	2,850	24	840	19	14	10
XLAP-SF-1014	3,200	24	660	15	11	8

Alum-A-Shield™

Corrugated Aluminum Shield w/ Hydraulic or Static Spreaders

Purpose:

Alum-A-Shield is a single wall corrugated shield that is designed to be light and strong. Available with static or hydraulic spreader sets, Alum-A-Shield is designed specifically for municipalities, utilities, and contractors who use rubber-tired backhoe/loaders and small excavators for trenching.



Common Applications:

- Sewer & Water Valves
- Hydrants & Taps
- Spot Repairs
- Plumbing

Features:

- Full length horizontal waler for greater depth rating
- Molded tubular end members with recessed stacking or leg sockets
- Top and bottom steel caps
- Professional Engineer design and depth certification



Options:

- End panel kit
- Leg kit
- Stacking pins

Spreader Options:

- Hydraulic Telescoping Quickbrace*
- Static Telescoping Quickbrace
- 3.5 in. Square Spreaders



Alum-A-Shield Corrugated Aluminum Trench Shield (with static spreaders)						
Model (Ft.) AS-Ht.Lg.	Weight (Lbs.)	Pipe Cl. (In.)	Shield Cap (PSF)	Depth of Cut (Ft.) Soil Type		
				B	C-60	C-80
AS46	585	24	1,200	26	20	15
AS48	770	24	1,200	26	20	15
AS410	965	24	1,020	22	17	13
AS412	1,160	24	660	14	11	8
AS66	690	24	1,200	26	20	15
AS68	910	24	1,200	26	20	15
AS610	1,130	24	1,020	22	17	13
AS612	1,350	24	660	14	11	8
AS86	790	24	1,200	26	20	15
AS88	1,040	24	1,200	26	20	15
AS810	1,295	24	1,020	22	17	13
AS812	1,600	24	660	14	11	8
AS106	1,035	24	1,200	26	20	15
AS108	1,170	24	1,200	26	20	15
AS1010	1,460	24	1,020	22	17	13
AS1012	1,740	24	660	14	11	8

*Hydraulic Shoring Product Guide available online at: www.encyproduction.com

Corru-Lite™

Lightweight Corrugated Aluminum Trench Shield

Purpose:

The Corru-Lite Shield is made of lightweight corrugated aluminum and is primarily used for light utility work or plumbing. Corru-Lite can be easily transported in the back of a pick-up truck.

Common Applications:

- Sewer & Water Valves
- Hydrants & Taps
- Spot Repairs
- Plumbing

Features:

- Pick-up truck transportable
- Can be hand-assembled in minutes
- Molded tubular end members with recessed stacking or leg sockets
- Top and bottom steel caps
- Professional Engineer design and depth certification

Options:

- Leg kit for up to 2 ft. additional pipe clearance
- Stacking pins

Spreader Options:

- Static Aluminum
- Adjustable Aluminum
- Adjustable Steel



Corru-Lite Corrugated Aluminum Trench Shield						
Model (Ft.)	Weight	Pipe Cl.	Shield Cap	Depth of Cut (Ft.) Soil Type		
<i>CL-Ht.Lg.</i>	(Lbs.)	(In.)	(PSF)	B	C-60	C-80
CL-24	110	12	660	15	11	8
CL-26	140	12	540	12	9	7
CL-27	160	12	480	11	8	6
CL-28	180	12	480	11	8	6
CL-210	220	12	420	9	7	5
CL-212	265	12	360	8	6	4
CL-44	160	12	660	15	11	8
CL-45	185	12	660	15	11	8
CL-46	215	12	540	12	9	7
CL-48	270	12	480	11	8	6
CL-410	350	12	420	9	7	5
CL-412	380	12	360	8	6	4
CL-56	275	18	540	12	9	7
CL-66	355	22	540	12	9	7
CL-68	480	22	420	9	7	5

Adjustable Spreaders - Aluminum		
Model	Length (In.)	Weight (Lbs.)
CLSA-1727	17 - 27	15
CLSA-2236	22 - 36	17
CLSA-2846	28 - 46	19
CLSA-3455	34 - 55	21
CLSA-4269	42 - 69	23
CLSA-5288	52 - 88	27

Adjustable Spreaders - Steel		
Model	Length (In.)	Weight (Lbs.)
CLSP-1727	17 - 27	18
CLSP-2236	22 - 36	23
CLSP-2846	28 - 46	28
CLSP-3455	34 - 55	33
CLSP-4269	42 - 69	43
CLSP-5288	52 - 88	50

Shoring Trailer Racks

Customizable shoring equipment racks for Shoring Trailers

Efficiency's customizable shoring equipment trailer racks are a perfect way to transform a standard trailer into a **FullStock Aluminum Shoring Trailer (FAST)**

Shoring Trailers are ideal for Public Works crews encountering a variety of excavation projects, since all necessary tools are available...no return trips to the yard for missing equipment.

All racks and other options can be re-sized, repositioned, and re-configured to fit your specific needs.

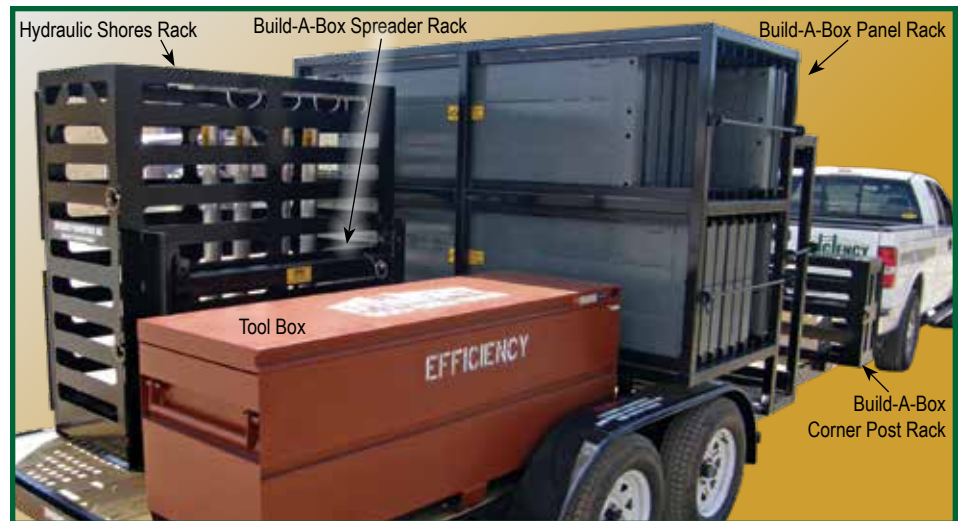
NOTE: Base tailers are not included and must be provided.

Aluminum Shield Rack Options:

- Racks and tie-downs that secure an XLAP, Alum-A-Shield or Corru-Lite aluminum trench shield
- Modular Build-A-Box Panel and Corner Post racks
- Spreader racks for 2 or 3-sided Build-A-Box systems, or XLAP aluminum trench shield
- Workbench and toolbox for Build-A-Box pins and keepers, slings, and other tools

Vertical Shores Series:

- Vertical Hydraulic Shores rack
- FinnForm Shoring Boards rack
- Toolbox for shoring accessories, partst and tools
- Workbench for cylinder repair
- Hydraulic Cylinder Test Stand



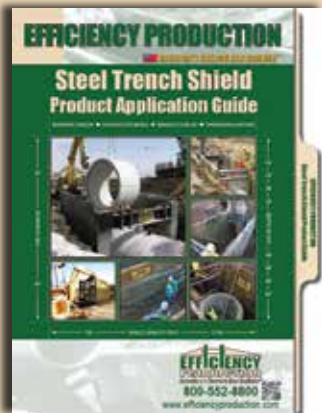
EFFICIENCY PRODUCTION

 AMERICA'S TRENCH BOX BUILDER™

Catalogs & Brochures for Efficiency Production Products

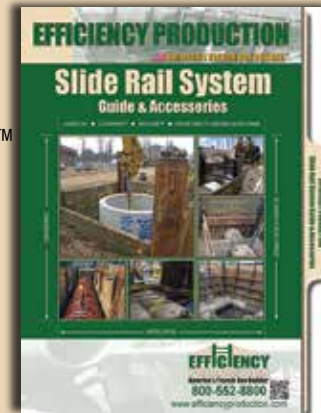
Steel Trench Shield Product Application Guide

- Municipal Shields
- Contractor Series Trench Shields
- Heavy-Duty Shields
- Manhole Shields
- Inner Shield Liner
- Arch Spreaders



Slide Rail System Guide & Accessories

- 4-Sided
- ClearSpan™
- 4-Sided Multi-Bay™
- Linear Multi-Bay™
- Shore-Trak™
- Innovative Accessories



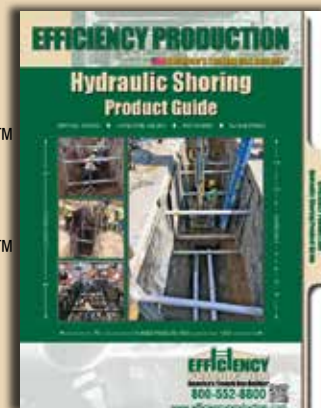
Build-A-Box™ Modular Aluminum Trench Shielding

- 2-Sided
- 3-Sided
- 4-Sided
- Sheeting Guide Frame
- Spreader Arches
- Innovative Accessories



Hydraulic Shoring Product Guide

- 4-Sided
- ClearSpan™
- 4-Sided Multi-Bay™
- Linear Multi-Bay™
- 4-Sided Multi-Bay™ with Waler
- Innovative Accessories



EFFICIENCY PRODUCTION
Aluminum Trench Shield Product Guide

epi-jem_Catalog ALUMINUM 2019.indd



America's Trench Box Builder™



www.efficiencyproduction.com • 800-552-8800 • Fax 517.676.0373

ARCOSA
SHORING PRODUCTS