

XLDM3



3 in. "Xtra Light" Double Wall Municipal Trench Shield

Purpose:

The XLDM3 has 3 in. double sidewalls and allow for the narrowest possible excavated trench. These lightweight shields are designed for use with rubber-tire backhoes or mini-excavators and are excellent for standard municipal repairs and infrastructure work.

Common Applications:

- Sewer & Water Valves
- Hydrants & Taps
- Spot Repairs

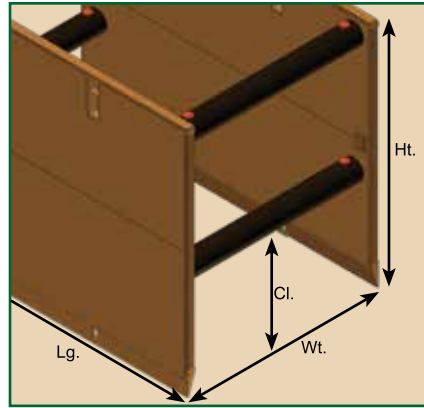
Collar & Spreader Options:

- 3¾ in. collar pipe for 4" schedule 40 spreaders (standard)
- 5 in. collar pipe for 6" schedule 80
- Custom collar sizes available

Features - Page 3

Shield Options - Page 4

Accessories - Page 5



Trench Shield Nomenclature

XLDM3-610 (*Model-Ht.Lg.*) =
Xtra-Light Double wall
Municipal shield with 3 in. sidewalls
6 ft. high, 10 ft. long

Others sizes available upon request

Depth Rating derived by dividing Shield Capacity (PSF) by soil type rating, i.e. 1,200 PSF / C-60 = 20 Ft.

XLDM3 3 in. Steel Double Wall Municipal Trench Shield

Model (Ft.) <i>XLDM3-Ht.Lg.</i>	Weight (Lbs.)	Pipe Cl. (In.)	Shield Capacity		Depth of Cut (Ft.) Soil Type		
			(PSF)	(kPa)	B	C-60	C-80
XLDM3-46	1,340	22	1,680	80	37	28	21
XLDM3-48	1,560	22	1,500	72	33	25	19
XLDM3-410	1,870	22	1,380	66	31	23	17
XLDM3-412	2,110	22	960	46	21	16	12
XLDM3-414	2,350	22	780	37	17	13	10
XLDM3-416	2,660	22	600	29	13	10	7
XLDM3-66	1,910	36	2,040	98	45	34	26
XLDM3-68	2,160	36	1,920	92	43	32	24
XLDM3-610	2,580	36	1,440	69	32	24	18
XLDM3-612	2,960	36	1,080	52	24	18	13
XLDM3-614	3,360	36	780	37	17	13	10
XLDM3-616	3,800	36	600	29	13	10	7
XLDM3-86	2,400	36	2,040	98	45	34	26
XLDM3-88	2,720	36	1,920	92	43	32	24
XLDM3-810	3,270	36	1,080	69	24	18	14
XLDM3-812	3,730	36	900	43	20	15	11
XLDM3-814	4,280	36	900	43	20	15	11
XLDM3-816	4,850	36	780	37	17	13	10